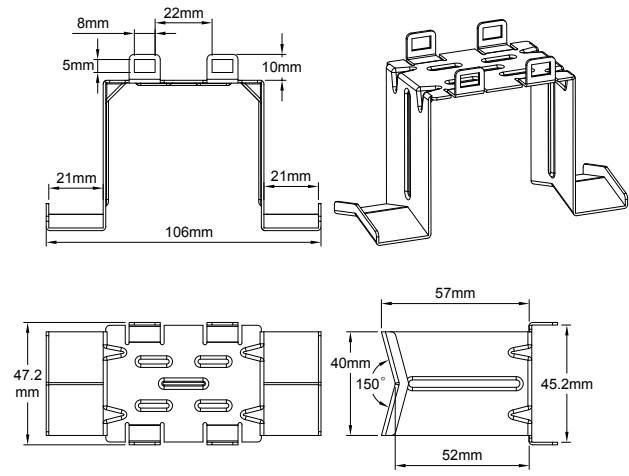


**Stainless steel mounting feet** for connection boxes, snapped-on or screwed on the bottom of the boxes. Mounting on pipes by nylon ties or metal clamps.

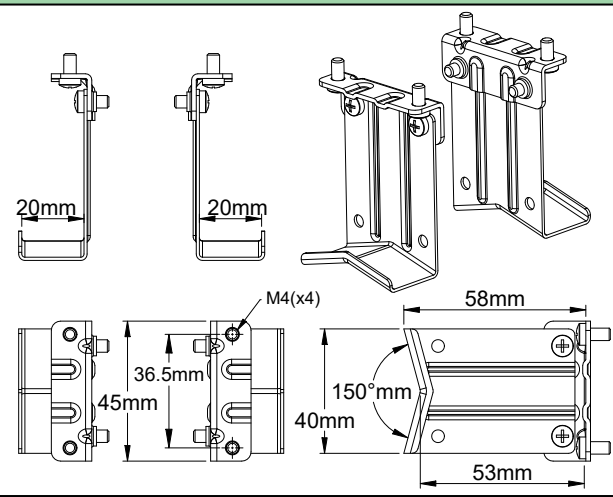


Because of permanent improvement of our products, drawings, descriptions, features used on these data sheets are for guidance only and can be modified without prior advice

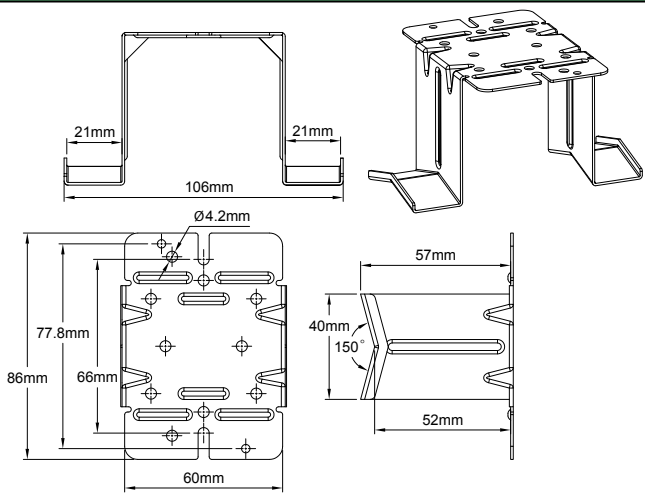
Material	Fixing	Distance to pipe	Assembly on box		Type
Stainless steel	On pipe	~50mm	Screws or Snap-on		<b>6YTPT</b> <b>6YTQT</b>



**Type 6YTPT440**



**Type 6YTQTW46**



**Type 6YTPTV499**

## Stainless steel mounting feet for connection boxes, snapped-on or screwed on the bottom of the boxes. Mounting on pipes by nylon ties or metal clamps.



### Applications

These metal brackets allow to mount connection boxes for heating cables on pipes, keeping a distance of about 50mm with the pipes, which allows thermal insulation and its protection to be installed. The snap-in models allow this insulation to be carried out after the heating cables have been laid and before the boxes have been laid and connected. The use of stainless-steel limits thermal conduction by the feet from the pipe to the box.

### Main features

**Material:** 304 stainless steel. Can also be produced in 316 stainless steel and in zinc plated steel (MOQ apply).

**Pipe mounting:** By metal hose clamp or by Nylon cable ties.

### Main part numbers (In 304 stainless steel\*)

Reference	Compatibility	Type of mounting on the box
6YTPTE440	Boxes of type Y50 and Y51	Snap-on
6YTQTW46	Boxes of type Y40 and Y41	M4 screws
6YTPTE499	Boxes of type Y27, Y28, Y8	M4 screws

\* Economic version in galvanized steel: replace the 7th character (4) with S. Food version in stainless steel 316: replace the 7th character (4) with 6.

Because of permanent improvement of our products, drawings, descriptions, features used on these data sheets are for guidance only and can be modified without prior advice